

BCW1 Wall Mount Air Handler



Submittal Specifications

BCW1

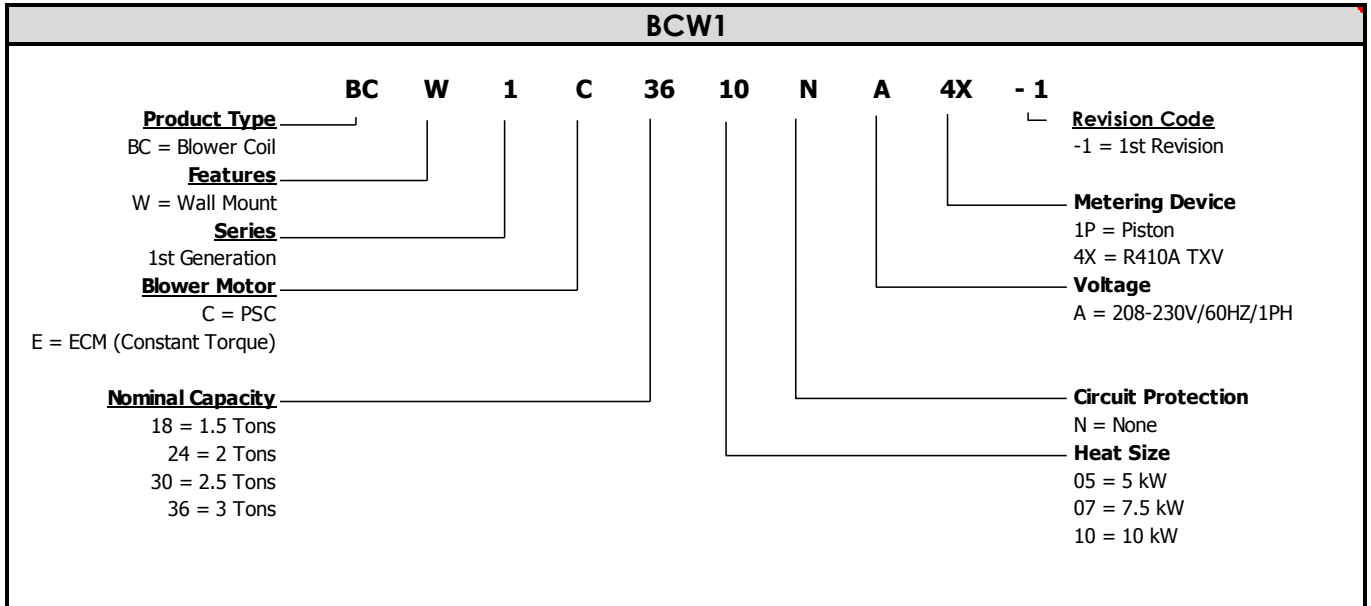
R-410A - 60 HZ

January 25, 2018

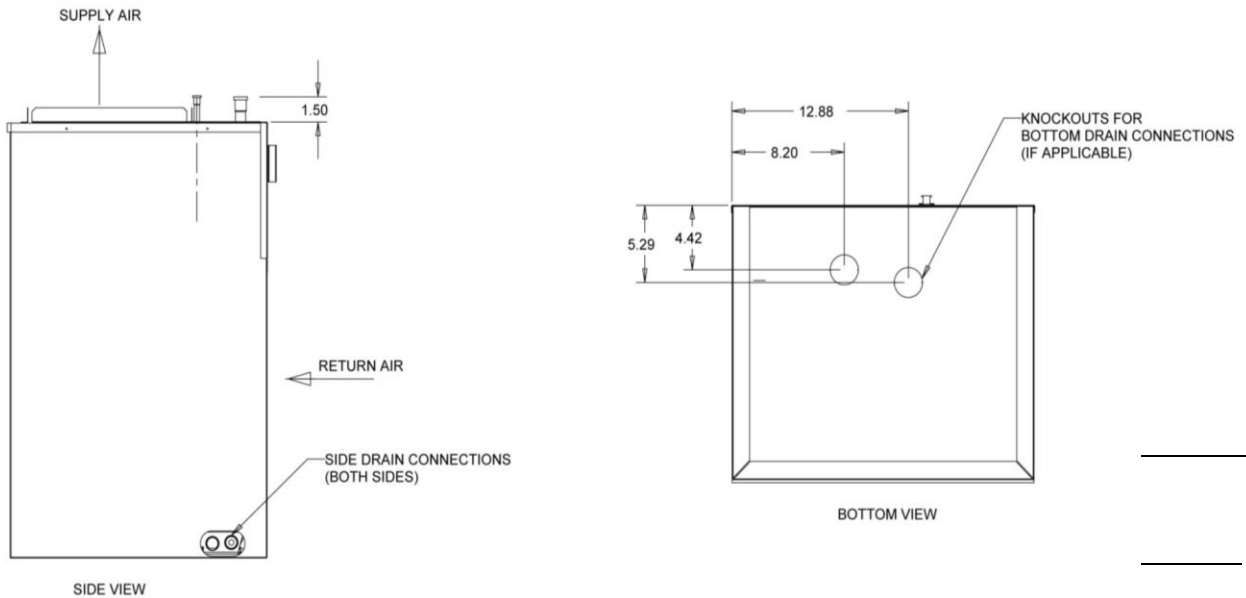


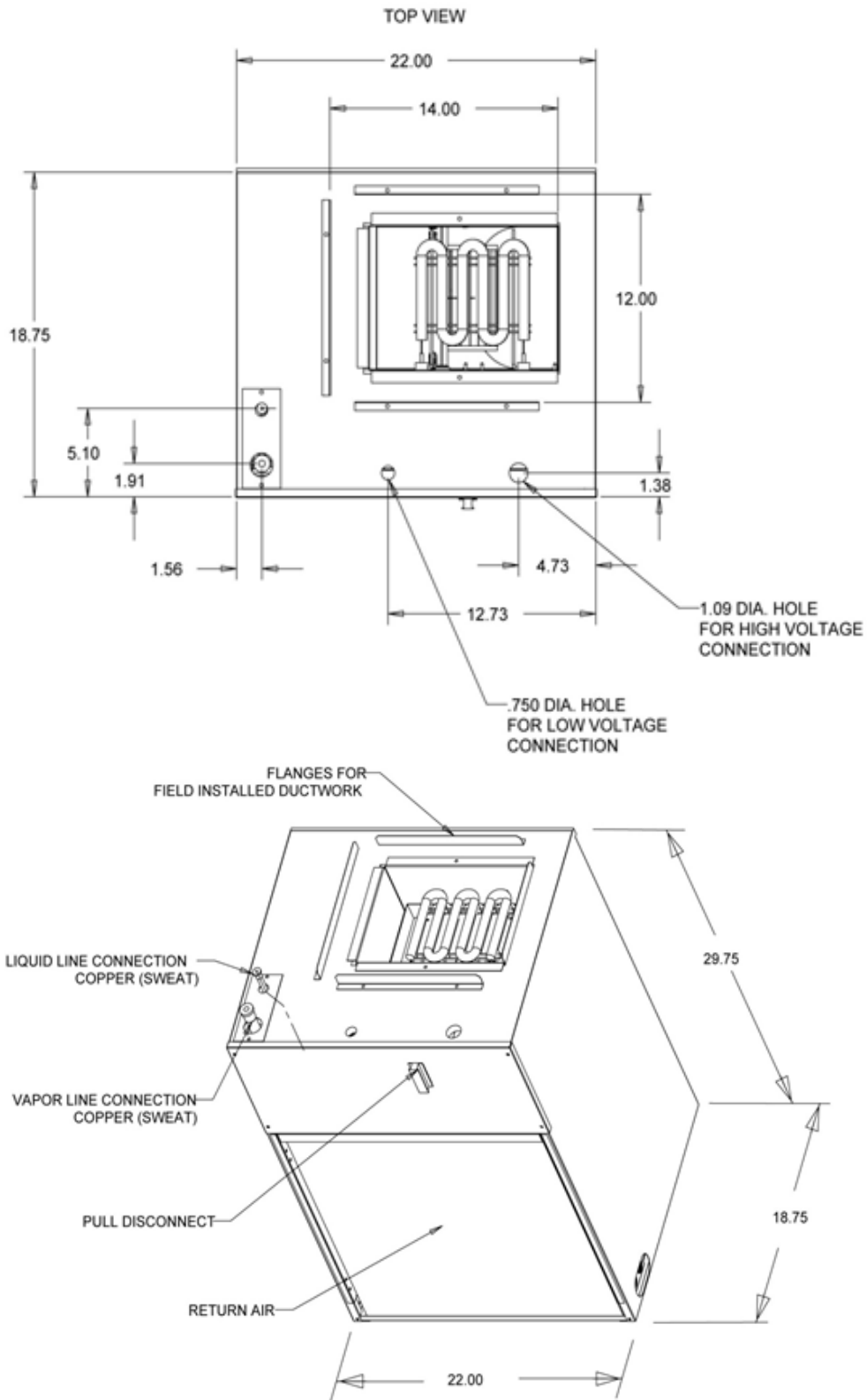
Note: This specification is for Allied Air Enterprises **BCW1 wall mount air handler 1.5 – 3 ton units.**

1.1 PRODUCT NOMENCLATURE



1.2 PRODUCT DIMENSIONS



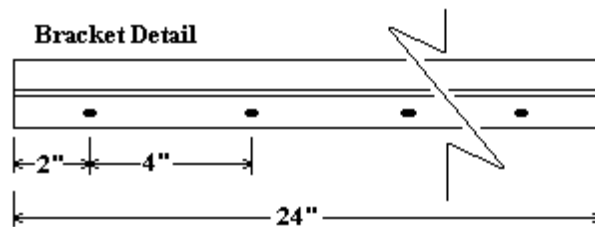
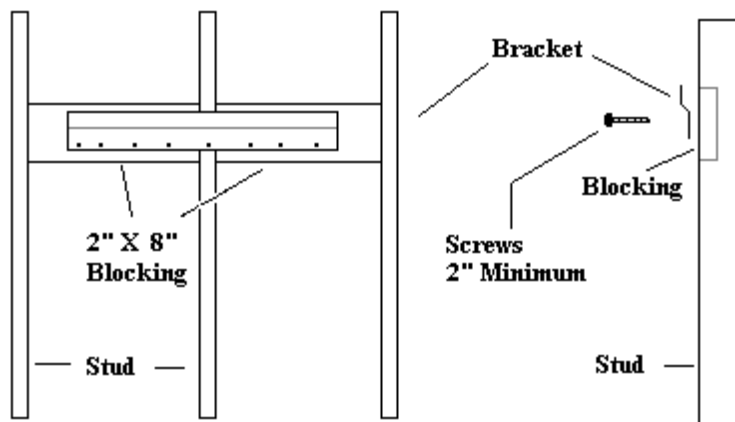


1.3 INSTALLATION DIMENSIONS

- A. Closet or "On The Wall" installation

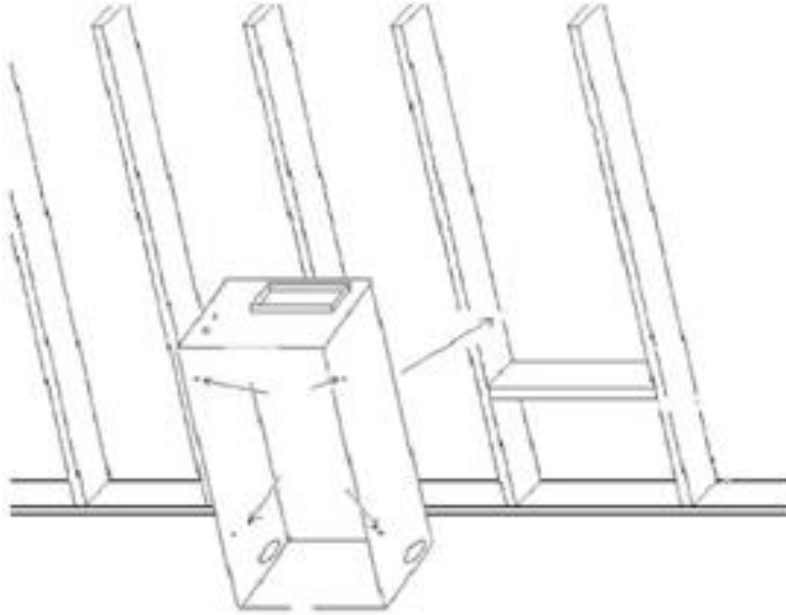
NOTE: A wall hanging bracket is available as an accessory for this type of mounting.

- A. Attach bracket to wall so the "open" end faces up, make sure bracket is level and attached to the studs (2" x 8" blocking installed between studs at bracket height is recommended).
- B. 2" screws are required.
- C. Lift unit and slide the back edge of the top cap onto bracket



Bracket For "ON" The Wall Installations

- B. Flush mount or “In The Wall” installation
 - A. Recess air handler 2” to provide adequate space for drain line connections.
 - 1. *If a flush application is desired, a notch will need to be cut in the stud to allow for primary drain access.*
 - B. Use the 2 holes on each side to attach between studs.
 - C. Make sure air handler is level and square before proceeding.



1.4 ACCESSORIES

- A. Wall mount bracket
- B. Float switch
- C. Decorative wall pane;
- D. Decorative closet panel

1.5 AIRFLOW DATA

Unit Size	Cooling Speed Setting	Airflow (CFM) vs. External Static Pressure (inches W.C.) ***				
		0.1	0.2	0.3	0.4	0.5
18	* ^ Low - Red	606	591	576	559	529
	Med - Blue	802	784	751	722	693
	High -Black	1046	1013	987	943	885
24	Low - Red	606	591	576	559	529
	* ^ Med - Blue	802	784	751	722	693
	High -Black	1046	1013	987	943	885
30	Low - Red	816	809	802	775	752
	* ^ Med - Blue	1000	985	970	935	889
	High -Black	1218	1175	1122	1070	1008
36	Tap 1	848	800	769	726	692
	Tap 2	1051	1028	1000	956	930
	* Tap 3	1247	1215	1188	1161	1126
	^ Tap 4	1310	1279	1254	1228	1200
	Tap 5	1364	1334	1304	1279	1250

- A. * = Factory setting for cooling
- B. ^ = Factory setting for heating

1.6 ELECTRICAL DATA

Unit Size (All have electric heat)	Heating Capacity		Blower Amps		Minimum Circuit Ampacity		Circuit Breaker Amps Per Stage
	kW	BTUH	208 V	240 V	208 V	240 V	
	240 V [1]	240 V [1]					
18	5.0	17,065	1.8	1.7	24.8	28.2	30
	7.5	25,598	1.8	1.7	36.1	41.2	45
	10.0	34,130	1.8	1.7	47.4	54.2	60
24	5.0	17,065	1.8	1.7	24.8	28.2	30
	7.5	25,598	1.8	1.7	36.1	41.2	45
	10.0	34,130	1.8	1.7	47.4	54.2	60
30	5.0	17,065	2.1	2.0	25.2	28.5	30
	7.5	25,598	2.1	2.0	36.5	41.6	45
	10.0	34,130	2.1	2.0	47.8	54.6	60
36	5.0	17,065	3.1	2.9	26.4	29.7	30
	7.5	25,598	3.1	2.9	37.7	42.7	45
	10.0	34,130	3.1	2.9	49.0	55.7	60

[1] For 208 Volts use .751 correction factors for kW & MBTUH.

1.7 CONNECTIONS

A. Piping / Line size

Physical Data

	Unit Size			
	18	24	30	36
Refrigerant Conn. (IDS) Suction	3/4"	3/4"	3/4"	3/4"
Refrigerant Conn. (IDS) Liquid	3/8"	3/8"	3/8"	3/8"
R-410A Piston Size (in)	0.049	0.053	0.059	0.067

B. Condensation drain

Dual condensate drain connections on left side, right side, and bottom of cabinet.

1.8 WARRANTY

- A. Project Warranty: Refer to Conditions of the Contract for project warranty provisions
- B. Manufacturer's Warranty: Submit, for Owner's acceptance, manufacturer's standard warranty document executed by authorized company official. Manufacturer's warranty is in addition to, and not a limitation of, other rights Owner may have under Contract documents.

Specifier Note: Coordinate paragraph below with manufacturer's warranty requirements.

- C. Warranty: Commencing on Date of Installation.
 - A. Standard warranty 1 year parts.